

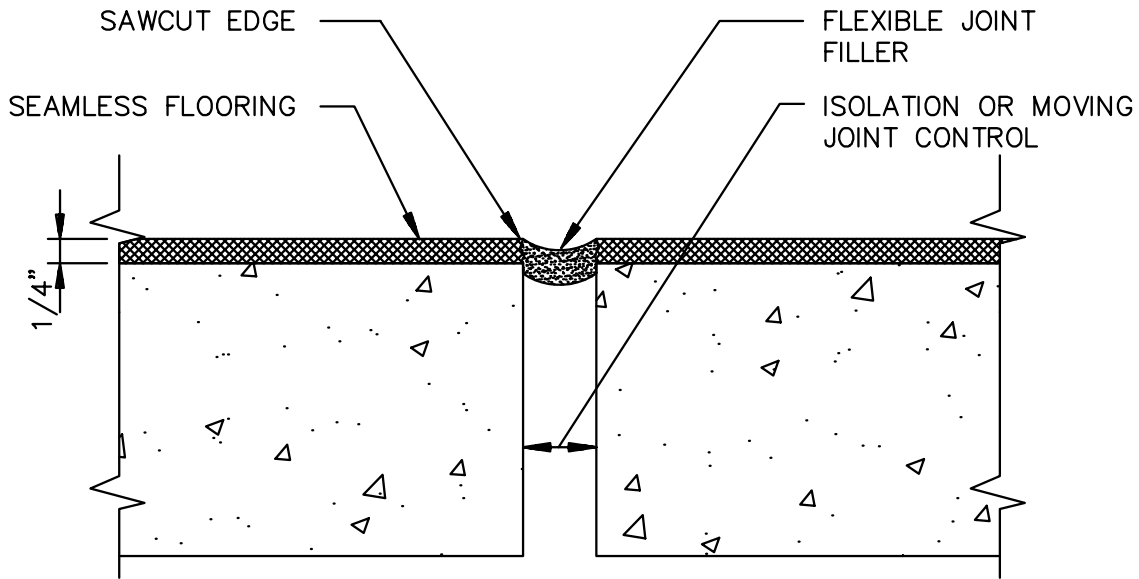
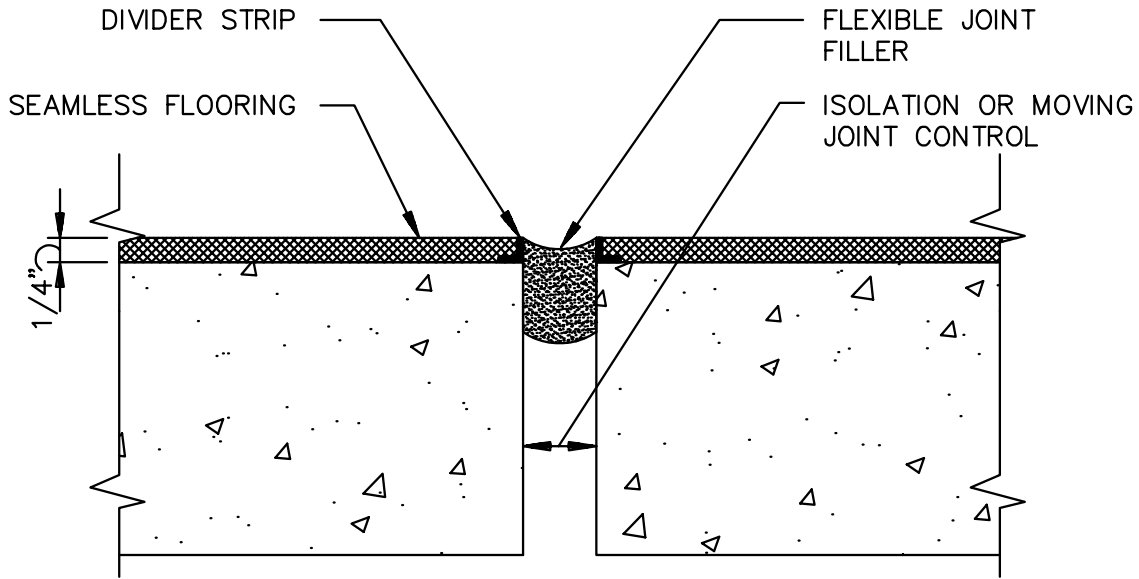


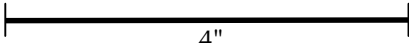
Typical Installation Details



Craftsmanship ♦ Technology ♦ Service

SeamTek® Details



Detail: MOVING JOINT TREATMENT	Project:	Project #:
		Date:
Scale: 6" = 1'0" 		Drawing Name: MOVEJOIN.DOC